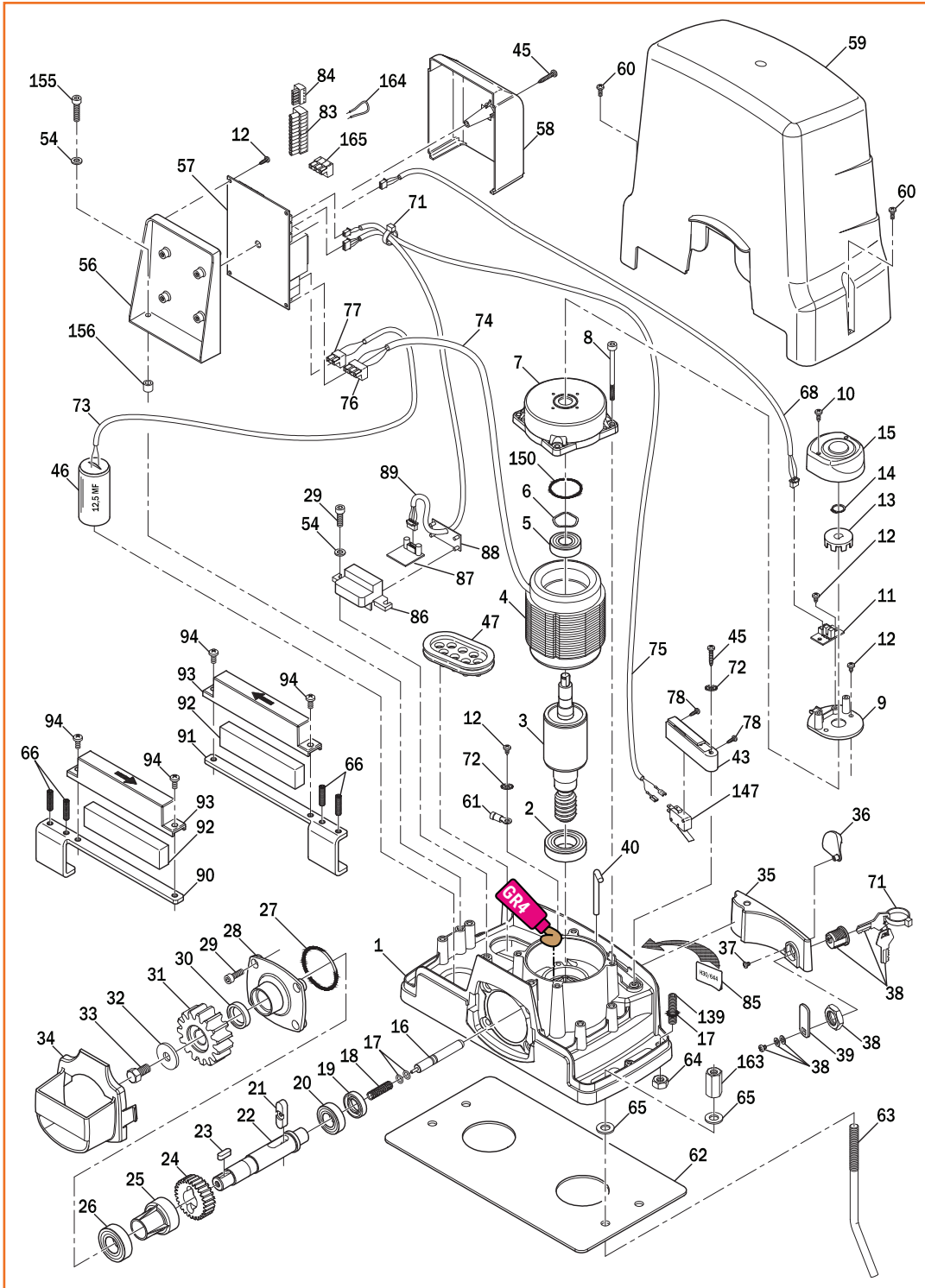
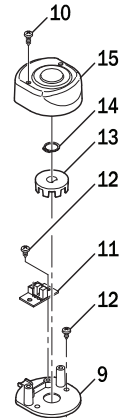


H30/644

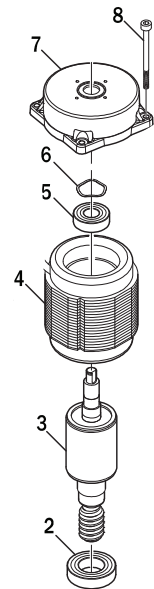
Electromechanical motor 230V AC irreversible ideal for sliding gates up to 600 Kg with built-in control unit H70, optical encoder and magnetic limit switch.



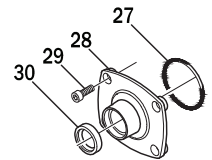
ASSEMBLY 1



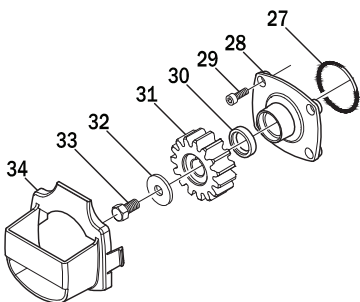
ASSEMBLY 2



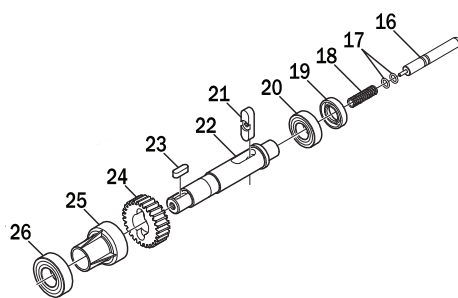
ASSEMBLY 3



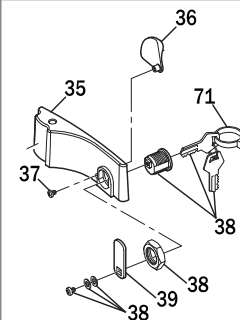
ASSEMBLY 4



ASSEMBLY 5



ASSEMBLY 6



ASSEMBLY 7

